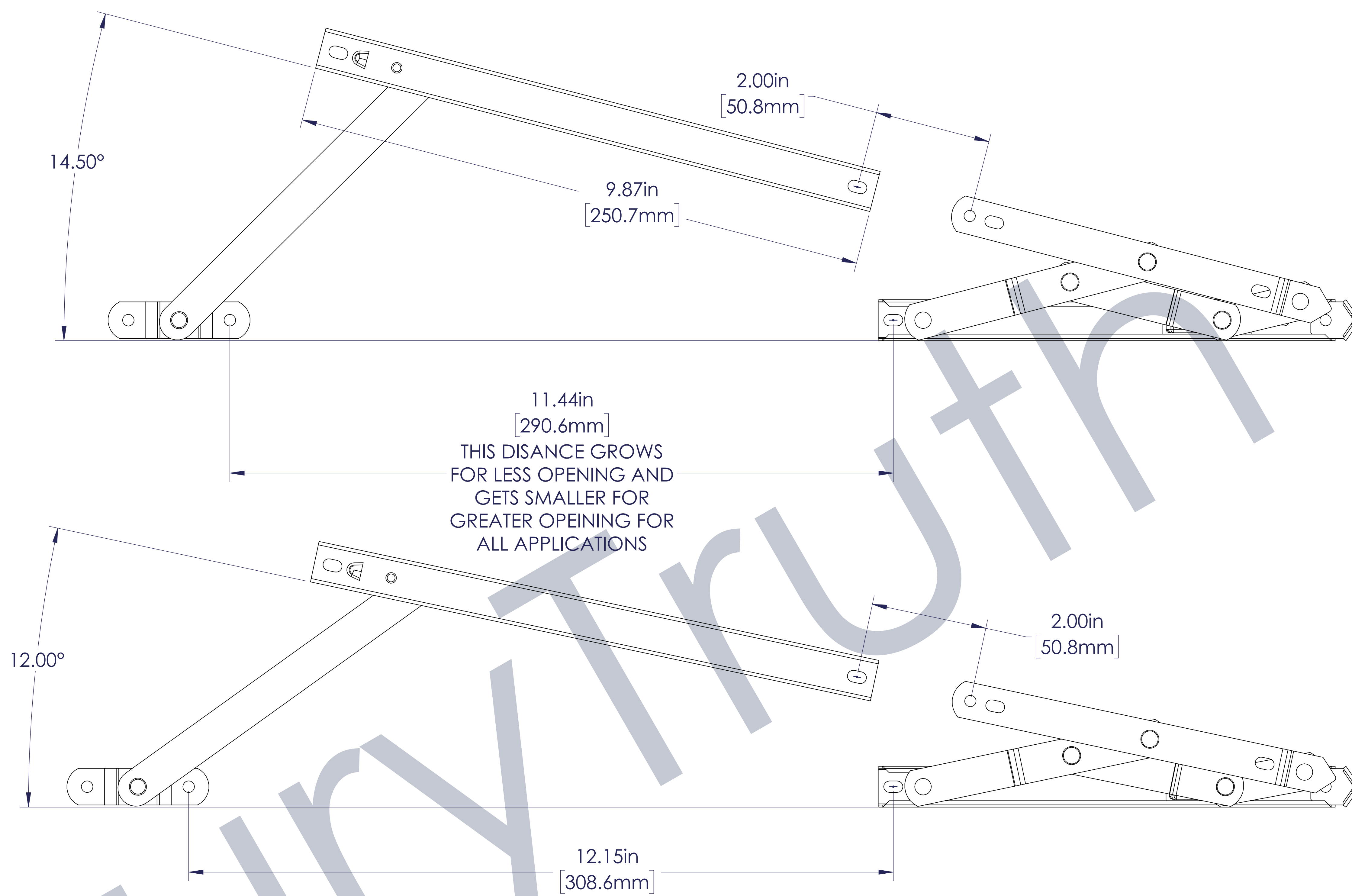
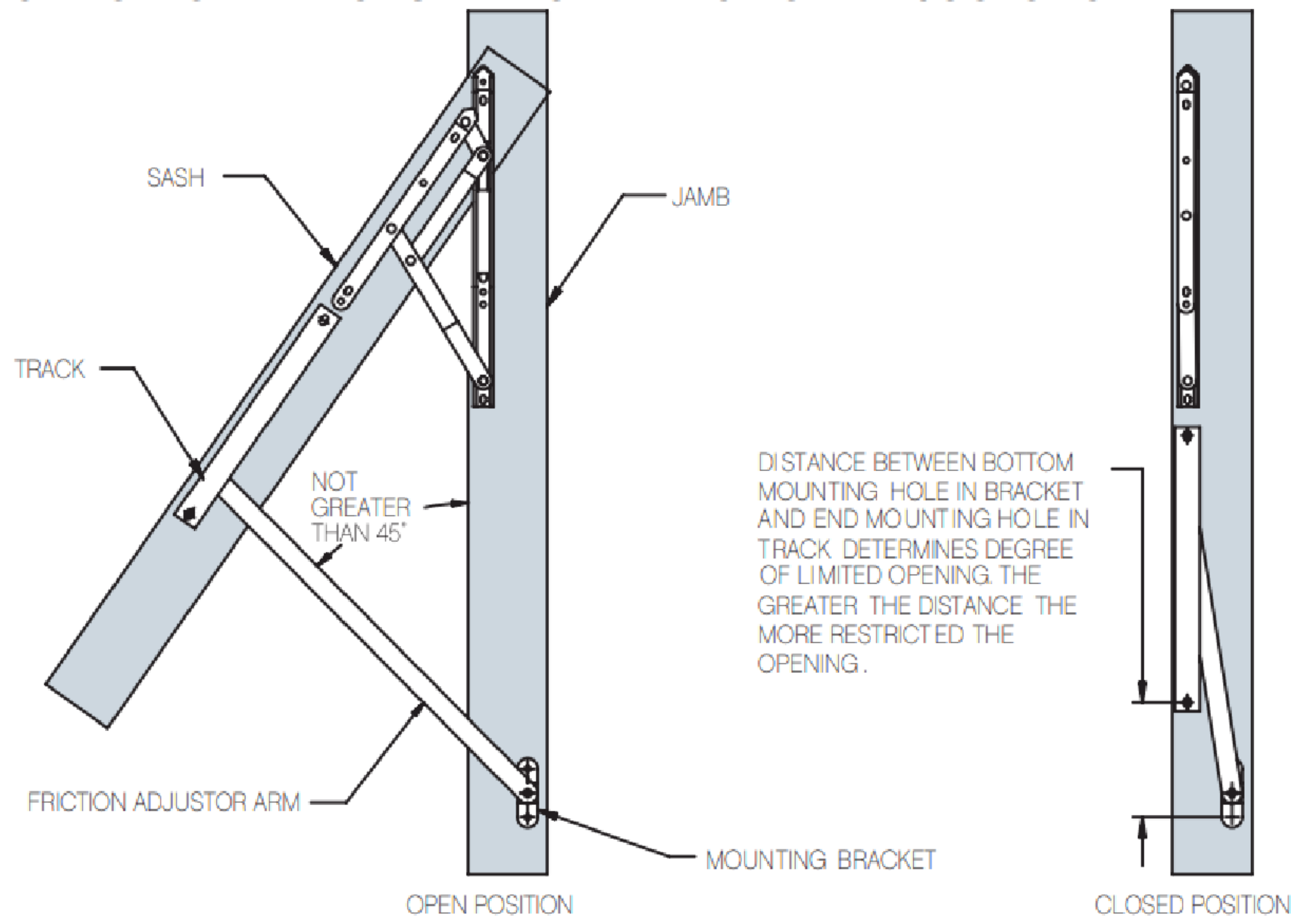
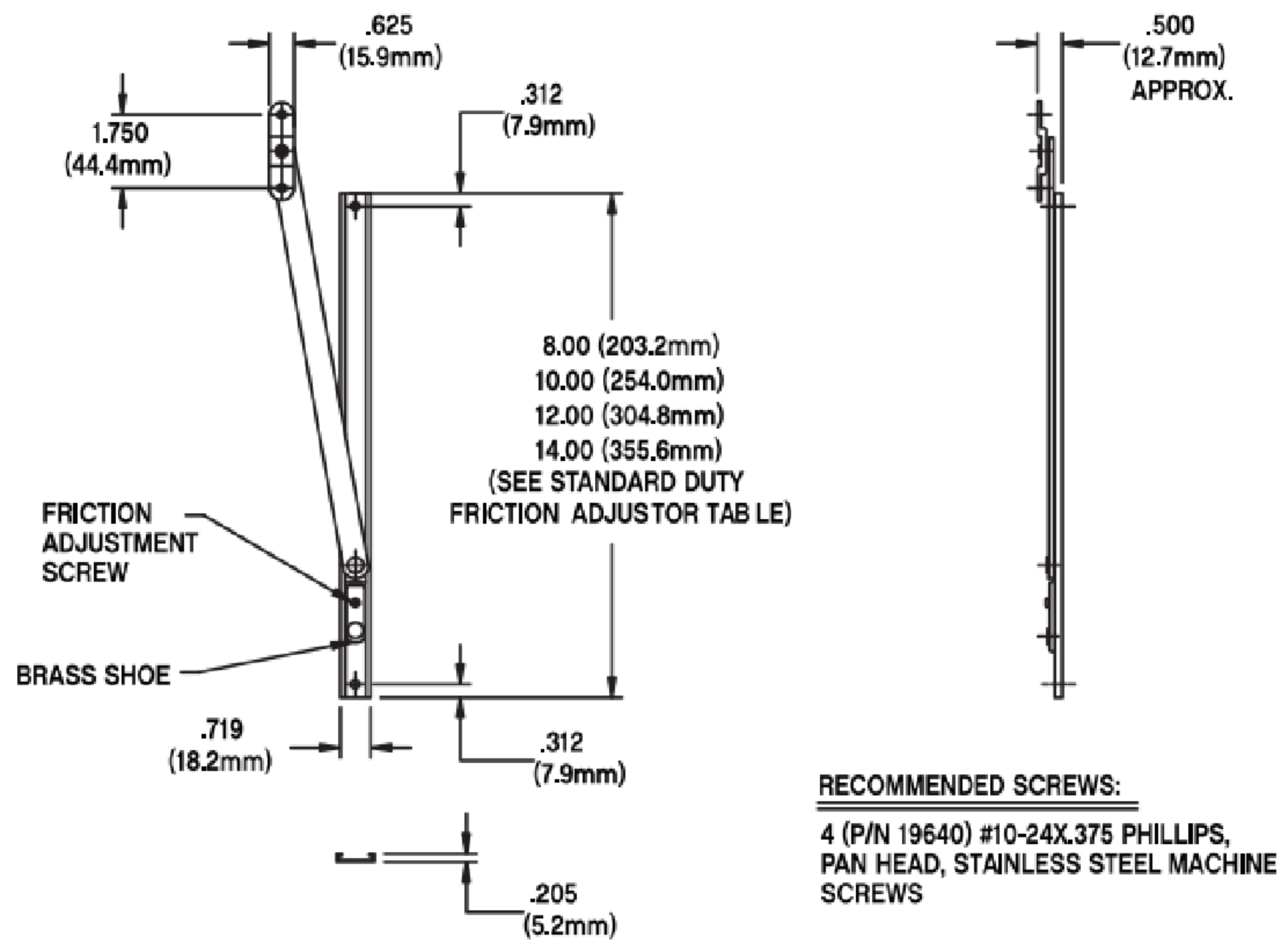


**FIG. 1 APPLICATION OF AMESBURYTRUTH FRICTION ADJUSTORS**



**FIG. 3 TRUTH STANDARD DUTY FRICTION ADJUSTORS (Anderberg FA22SS Series)**



STANDARD DUTY FRICTION ADJUSTORS (See Fig. 3)	
PART NUMBER	TRACK LENGTH*
37.35	8" (203.2mm)
37.36	10" (254.0mm)
37.37	12" (304.8mm)
37.38	14" (355.6mm)

\*Bar length is always 2" shorter than Track length.

